

The 20 Series from TREPKO have been designed as semi-automatic filling and closing machines for pre-formed containers. Designed for customers whose required output level doesn't warrant a fully automatic machine the series is a cost effective option for the filling & sealing smaller containers.

The machine requires an operator to manually place the empty containers into a rotary turntable. As the operator rotates the turntable, containers can be volumetrically filled via an optional single head volumetric depositing system, then a pre-cut diaphragm is placed before being sealed to the container. The operator manually removes the filled and sealed container to repeat cycle.

The output of this machine can reach between 12-15 containers per minute (720-900 containers per hour) however it is the operator that controls the actual machine output rate.

The machine can be supplied with change parts for extra container sizes. All change parts are designed for a quick changeover times to minimise downtime. A different machine frame size is available to cater for larger container sizes.

A special version of the 20 Series, the 22S, has been designed for the closing and sealing of cardboard sandwich skillets.

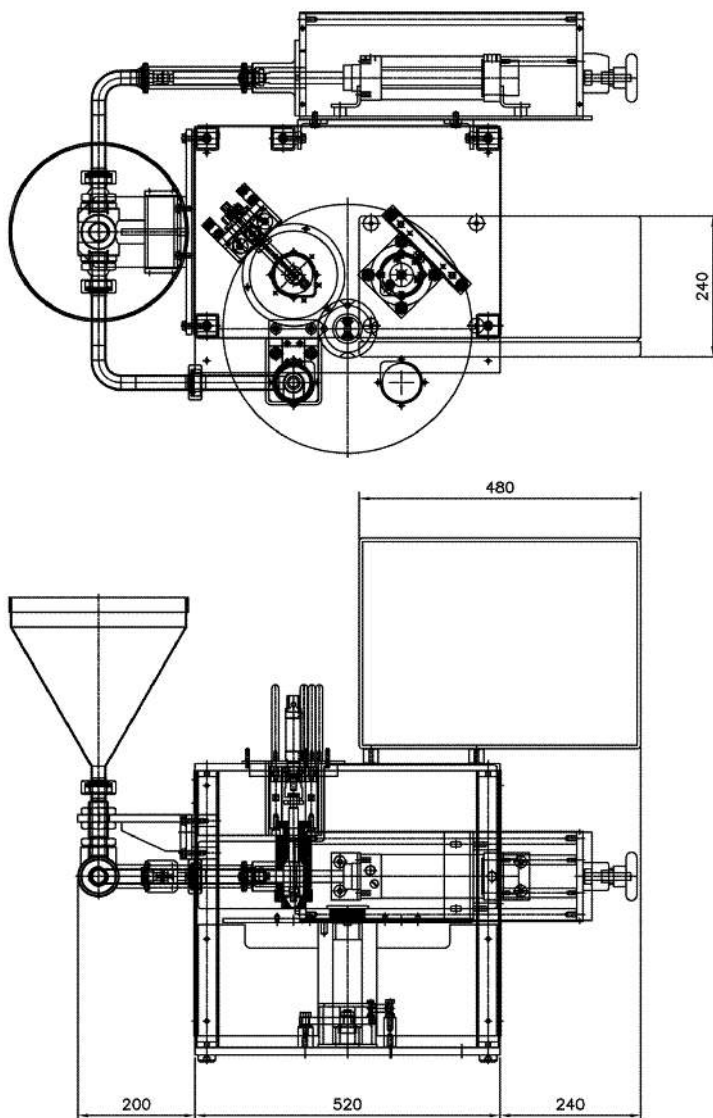


20 series

semi-automatic filling & closing machines



Specifications



Scandinavia & Western Europe

Trepko A/S
Energivej 30
2750 Ballerup
Denmark
Phone: +45 43 99 22 44
Fax: +45 43 99 26 55

United Kingdom, Ireland, Australia and New Zealand

Trepko (UK) Limited
Marshall Way
Heapham Road Ind. Estate
Gainsborough, Lincolnshire
England, DN21 1GD
United Kingdom
Phone: +44 1427 612244
Fax: +44 1427 617797

Central & Eastern Europe

Trepko Sp. z o.o.
ul. Roosevelta 116
62-200 Gniezno
Poland
Phone: +48 61 426 50 41
Fax: +48 61 426 50 68

North & Latin America

Trepko Inc.
Sunstate Centre
4893 West Waters Ave
Suite C-F
Tampa, FL, 33634
USA
Phone: +1 813 443 0794

Sub-Saharan Africa

130 Jan van Riebeeck Drive
Paarl, Western Cape, 7646
South Africa
Phone: +27 (0) 21 862 2192
Fax: +27 (0) 21 862 4605

Middle East & North Africa

Trepko A/S - sales office
P.O. Box 58
Al-Andalus 11817 Cairo
Egypt
Mobile: +20 122 32 19 274

Brazil

Trepko do Brasil Ltda
Rua Brasholanda, 240
Pinhais, Paraná
Brazil
Zip code 83322-070
Phone: +55 41 3513-5100
Fax: +55 41 3513-5101

Machine type	21 KS	21 KS with doser	22 S
Output*			
- cups/min	12-16	12-16	16-20
- cups/hour	720-960	720-960	960-1200
Services	1	1	2
- electrical	240V AC + N, 13A		
- compressed air (l/min)	250	320	65
Machine weight (kg)	100	150	150
Dimensions L x W x H (mm)	560 x 540 x 900	750 x 1000 x 900	1130 x 850 x 730

* - subject to operator's speed